

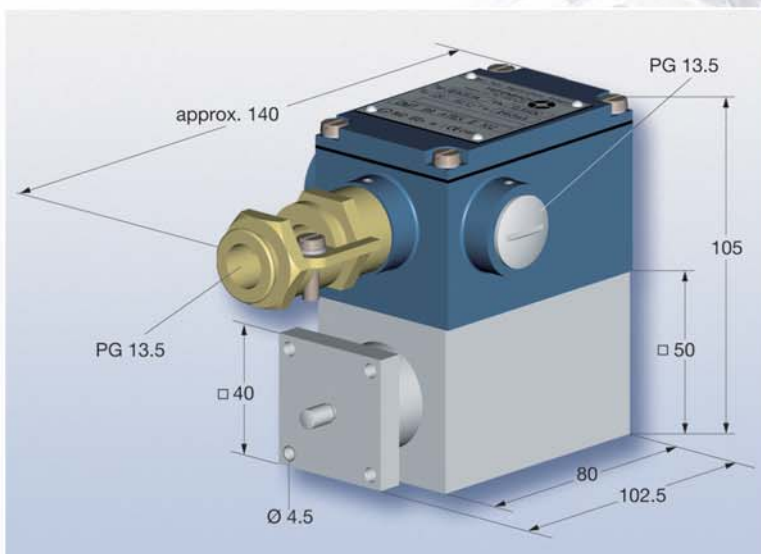


Valve solenoid iEA05/1A

for the actuation of hydraulic valves
in potentially explosive atmospheres



- Intrinsically safe electromagnet
- Any desired fitting position
- Connection via terminal housing
- Largely unaffected by external influences
- Maintenance-free
- Type of protection: IP 54 according to EN 60529/IEC 529;
EEx ia I intrinsically safe according to Directive 94/9/EC (ATEX)





iEA05/1A

FUNCTION AND DESIGN

The valve solenoid iEA05/1A is used on intrinsically safe power supply systems and is designed for actuating hydraulic valves.

The solenoid consists of an electromagnet on which a junction housing is mounted. A cover fastened by four secured hex. socket head cap screws closes the housing.

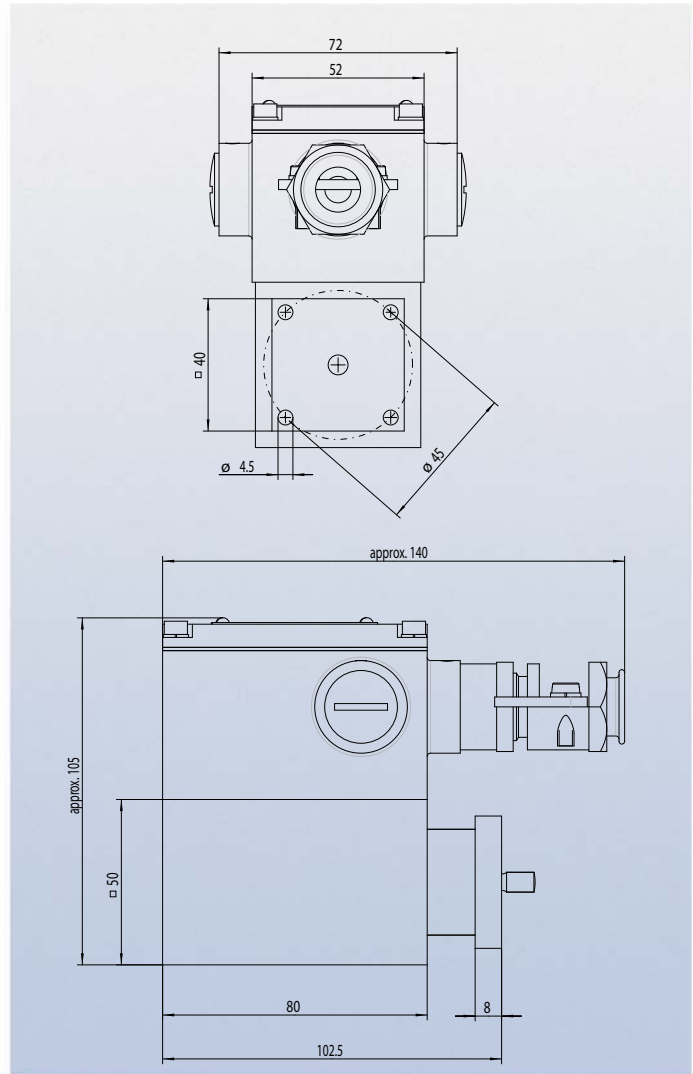
Sealing of the solenoid is provided by an O-ring inserted between the electromagnet and the junction housing and the flat seal in the cover which meets the requirements for type of protection IP54.

A populated printed circuit board is mounted in the housing interior and completely embedded in cast resin potting compound ensures adequate safety with respect to explosion protection. Only the connection parts are accessible.

A cable entry gland with bending protection and stress-relief clamp is available to allow inserting the cable twist-free. The cable entry gland can be attached variably at both side panels and optionally also at one front panel.

In order to maintain type of protection IP 54 the cable for operating the valve solenoid must have a diameter of 6 mm to 13 mm.

The cover bears a type plate with the required marking and the note "for intrinsically safe systems, only".



TECHNICAL DATA TYPE iEA05/1A

Rated voltage U_{rated}	12.0 VDC
Maximum voltage U_{max}	13.5 VDC
Current consumption I_{nom}	240 mA
Power	~ 3 watt
Resistance	$50\Omega \pm 5\%$
Stroke	4 mm
Type of connection	terminal housing
Cable entry gland	thread PG 13.5
Temperature range	-20°C to 60°C
Type of protection	IP 54 according to EN 60529/IEC 529; I M2 EEx ia I acc. to Directive 94/9/EC (ATEX)
Certificate number	DMT 99 ATEX E102

Subject to technical alterations
>>> Version 11/11